



Jumbo Filter Housings

Filter Housing for Food and Beverage Applications

Product Information

Sartorius Stedim Biotech Jumbo Filter Housings are specifically designed for liquid filtration applications of the Food and Beverage Industry. Manufactured in an PED 2014/68/EU certified facility, special attention has been paid to choice of materials, durability, cleanability, ease of use and quality control.



Introduction

Sartorius Stedim Biotech Jumbo Filter Housings are made to support the high expectations and standards of our customers.

Applications

Sartorius Stedim Biotech Jumbo Filter Housings are ideally suited for liquid filtration, including:

- Prefiltration upstream of the final membrane filtration before filling
- Trapfiltration downstream of the diatomaceous earth | PVPP filter
- Clarification step in winery and distillery
- Prefiltration upstream of the final membrane filtration before filling
- Clarification step

Quality of Material

Only 316L grade stainless steel is used for all wetted surfaces to provide maximum durability and resistance to corrosion. All supplied gaskets and O-rings meet FDA regulatory requirements.

Quality of Surface Finishes

Jumbo Filter Housings come standard with internal finishes of at least 0.8 micron (μm) Ra and are nitric electropolished and passivated. Electropolishing of stainless steel Filter Housings is the recommended finishing process for all applications where cleanliness and corrosion resistance are critical.

Ease in Cleaning

Jumbo Filter Housings are designed to allow for a more thorough cleaning. Sprayball assembly is available for all Jumbo housings.

Complete Flexibility

Sartorius Stedim Biotech offers the widest range of Filter Housing design options to exactly match your specific application requirements. Custom designs are available upon request.

Quality Control and Documentation

Premium document package available as an option includes as-built drawing(s), BOM, MTRs, elastomer certs., hydrotest certs., surface finish certs., EP | passivation certs., weld log, etc. Each Filter Housing is also labeled with a matching serial number on the base and bell for complete traceability.

Ease of Installation

Sartorius Stedim Biotech Filter Housings are sold ready-to-install with the gasket(s), O-Ring(s) and clamp included.

CE PED 2014/68/EU Standard

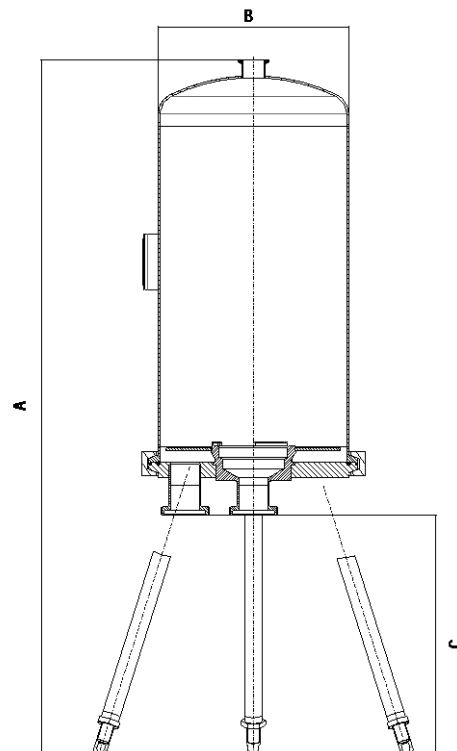
Sartorius Stainless Steel Housings are designed and manufactured according the Pressure Equipment Directive PED 2014/68/EU. Our manufacturing process follows the highest quality standards and is monitored by an internal quality control system as well as by independent notified bodies on a regular basis.

Technical Data

Product Contact Surfaces	316L
Gasket Materials	EPDM (Fluoroelastomer or Silicone available)
CFR Compliance	All gasket materials comply with the FDA regulations 21 CFR 17.2600
Closure System	Clamp closure
Height	10" High, 20" High, 30" High, 40" High
Adapter	Jumbo Double O-Ring Bayonet Connector
Surface Finishes	Ra <0.8 µm internal (epolished) Ra <1.6 µm external (epolished)

Measurements, Weights and Volume

Jumbo F&B Housings Modules		1	2	3	4
Volume	ltr	25.1	42.8	60.4	78.1
Total Height (A)	mm	870	1120	1370	1620
Height (C)	mm	388	388	388	388
Diameter (B)	mm	306	306	306	306
Weight	kg	68	75	82	89



Ordering Information

Order Code	Description
7J11LSN00003	1 Module, Standard Documentation, Gasket Material Silicone
7J12LSN00003	2 Modules, Standard Documentation, Gasket Material Silicone
7J13LSN00003	3 Modules, Standard Documentation, Gasket Material Silicone
7J14LSN00003	4 Modules, Standard Documentation, Gasket Material Silicone
7J11LEN00003	1 Module, Standard Documentation, Gasket Material EPDM
7J12LEN00003	2 Modules, Standard Documentation, Gasket Material EPDM
7J13LEN00003	3 Modules, Standard Documentation, Gasket Material EPDM
7J14LEN00003	4 Modules, Standard Documentation, Gasket Material EPDM
7J11LVN00003	1 Module, Standard Documentation, Gasket Material Fluoroelastomer
7J12LVN00003	2 Modules, Standard Documentation, Gasket Material Fluoroelastomer
7J13LVN00003	3 Modules, Standard Documentation, Gasket Material Fluoroelastomer
7J14LVN00003	4 Modules, Standard Documentation, Gasket Material Fluoroelastomer

Accessories

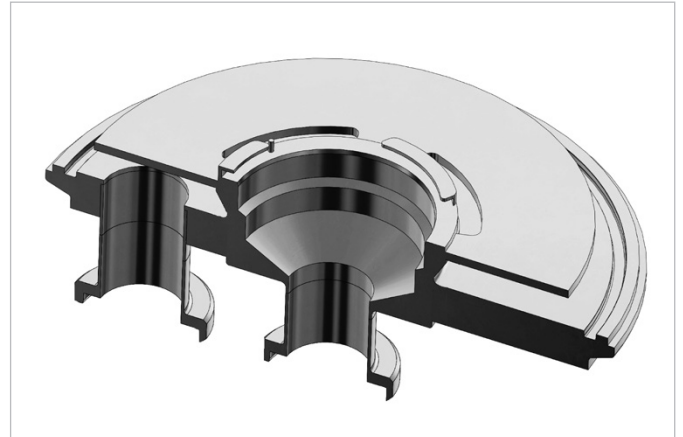
Order Code	Description
7ZMA--0024	Membrane Gauge with Tri Clamp 1.5"- 1-10 bar
7ZM-B-0041	Vent Assembly with sight glass and membrane valve
7ZALN-0295	90° Bends DIN DN65 with welding ends
7ZALN-0294	90° Bends DIN DN65 with Tri Clamp DN 65
7ZALN-0293	90° Bends DIN DN65 with DIN 11851 Male Part

Others on request

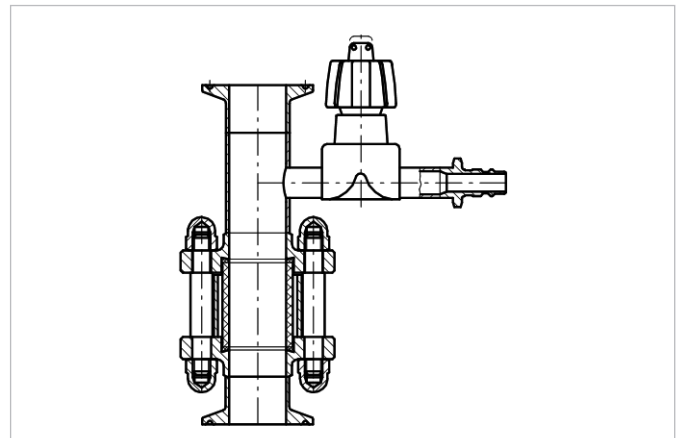
In- and Outlet:

Aseptic threaded connection DN65 DIN 11864-1 (pipe size 70 × 2.0 mm).

Vent connection 1.5 Tri clamp (pipe size 38 × 1.6 mm).



Jumbo Baseplate Design



Vent Assembly

Sales and Service Contacts

For further contacts, visit www.sartorius-stedim.com

Europe

Germany

Sartorius Stedim Biotech GmbH
August-Spindler-Strasse 11
37079 Goettingen

Phone +49.551.308.0
Fax +49.551.308.3289

Sartorius Stedim Systems GmbH
Robert-Bosch-Strasse 5 – 7
34302 Guxhagen

Phone +49.5665.407.0
Fax +49.5665.407.2200

France

Sartorius Stedim FMT S.A.S.
ZI des Paluds
Avenue de Jouques – CS 91051
13781 Aubagne Cedex

Phone +33.442.845600
Fax +33.442.845619

Sartorius Stedim France SAS
ZI des Paluds
Avenue de Jouques – CS 71058
13781 Aubagne Cedex

Phone +33.442.845600
Fax +33.442.846545

Austria

Sartorius Stedim Austria GmbH
Modecenterstrasse 22
1030 Vienna

Phone +43.1.7965763.18
Fax +43.1.796576344

Belgium

Sartorius Stedim Belgium N.V.
Rue Colonel Bourg 105
1030 Bruxelles

Phone +32.2.756.06.80
Fax +32.2.756.06.81

Hungary

Sartorius Stedim Hungária Kft.
Kagyuló u. 5
2092 Budakeszi

Phone +36.23.457.227
Fax +36.23.457.147

Italy

Sartorius Stedim Italy S.r.l.
Via dell'Antella, 76/A
50012 Antella-Bagno a Ripoli (FI)

Phone +39.055.63.40.41
Fax +39.055.63.40.526

Netherlands

Sartorius Stedim Netherlands B.V.

Phone +31.30.60.25.080
Fax +31.30.60.25.099

filtratie.nederland@sartorius-stedim.com

Poland

Sartorius Stedim Poland Sp. z o.o.
ul. Wrzesinska 70
62-025 Kostrzyn

Phone +48.61.647.38.40
Fax +48.61.879.25.04

Russian Federation

LLC "Sartorius Stedim RUS"
Uralskaya str. 4, Lit. B
199155 St. Petersburg

Phone +7.812.327.53.27
Fax +7.812.327.53.23

Spain

Sartorius Stedim Spain, S.A.U.
Avda. de la Industria, 32
Edificio PAYMA
28108 Alcobendas (Madrid)

Phone +34.913.586.098
Fax +34.913.589.623

Switzerland

Sartorius Stedim Switzerland AG
Ringstrasse 24 a
8317 Tagelswangen

Phone +41.52.354.36.36
Fax +41.52.354.36.46

U.K.

Sartorius Stedim UK Ltd.
Longmead Business Centre
Blenheim Road, Epsom
Surrey KT19 9 QQ

Phone +44.1372.737159
Fax +44.1372.726171

Ukraine

LLC "Sartorius Stedim RUS"
Post Box 440 "B"
01001 Kiev, Ukraine

Phone +380.44.411.4918
Fax +380.50.623.3162

Americas

USA

Sartorius Stedim North America Inc.
5 Orville Drive, Suite 200
Bohemia, NY 11716

Toll-Free +1.800.368.7178
Fax +1.631.254.4253

Argentina

Sartorius Argentina S.A.
Int. A. Ávalos 4251
B1605ECS Munro
Buenos Aires

Phone +54.11.4721.0505
Fax +54.11.4762.2333

Brazil

Sartorius do Brasil Ltda
Avenida Senador Vergueiro 2962
São Bernardo do Campo
CEP 09600-000 - SP- Brasil

Phone +55.11.4362.8900
Fax +55.11.4362.8901

Mexico

Sartorius de México, S.A. de C.V.
Libramiento Norte de Tepotzotlan s/n,
Colonia Barrio Tlacateco,
Municipio de Tepotzotlan,
Estado de México,
C.P. 54605

Phone +52.55.5562.1102
Fax +52.55.5562.2942

leadsmex@sartorius.com

Peru

Sartorius Peru S.A.C.
Av. Emilio Cavenecia 264 San Isidro
15073 Lima, Perú

Phone +51.1.441 0158
Fax +51.1.422 6100

Asia | Pacific

Australia

Sartorius Stedim Australia Pty. Ltd.
Unit 5, 7-11 Rodeo Drive
Dandenong South Vic 3175

Phone +61.3.8762.1800
Fax +61.3.8762.1828

China

Sartorius Stedim Biotech (Beijing) Co. Ltd.
No. 33 Yu'an Road
Airport Industrial Park Zone B
Shunyi District, Beijing 101300

Phone +86.10.80426516
Fax +86.10.80426580

Sartorius Stedim (Shanghai)
Trading Co., Ltd.

3rd Floor, North Wing, Tower 1
No. 4560 Jinke Road
Zhangjiang Hi-Tech Park
Pudong District
Shanghai 201210, P.R. China

Phone +86.21.6878.2300
Fax +86.21.6878.2882

Sartorius Stedim Biotech (Beijing) Co. Ltd.
Guangzhou Representative Office

Unit K, Building 23
Huihua Commerce & Trade Building
No. 80 Xianlie Middle Road
Guangzhou 510070

Phone +86.20.37618687 | 37618651
Fax +86.20.37619051

India

Sartorius Stedim India Pvt. Ltd.
#69/2-69/3, NH 48, Jakkasandra
Nelamangala Tq
562 123 Bangalore, India

Phone +91.80.4350.5250
Fax +91.80.4350.5253

Japan

Sartorius Stedim Japan K.K.
4th Fl., Daiwa Shinagawa North Bldg.
8-11, Kita-Shinagawa 1-chome
Shinagawa-ku, Tokyo, 140-0001 Japan

Phone +81.3.4331.4300
Fax +81.3.4331.4301

Malaysia

Sartorius Stedim Malaysia Sdn. Bhd.
Lot L3-E-3B, Enterprise 4
Technology Park Malaysia
Bukit Jalil
57000 Kuala Lumpur, Malaysia

Phone +60.3.8996.0622
Fax +60.3.8996.0755

Singapore

Sartorius Stedim Singapore Pte. Ltd.
1 Science Park Road,
The Capricorn, #05-08A,
Singapore Science Park II
Singapore 117528

Phone +65.6872.3966
Fax +65.6778.2494

South Korea

Sartorius Korea Biotech Co., Ltd.
8th Floor, Solid Space B/D,
PanGyoYeok-Ro 220, BunDang-Gu
SeongNam-Si, GyeongGi-Do, 463-400

Phone +82.31.622.5700
Fax +82.31.622.5799



▶ www.sartorius-stedim.com