

# ProfiLine

OEM weigh cells

WZA224-N

WZA523-N

WZA1203-N

WZA...	224-N	523-N	1203-N
Capacity	220 g	520 g	1200 g
Readability	0.1 mg	1 mg	1 mg

The WZA-N series is the successor of the well established WZA-line. This series focus on weighing resolutions as low as 0.1 mg and capacities of up to 8200 g.



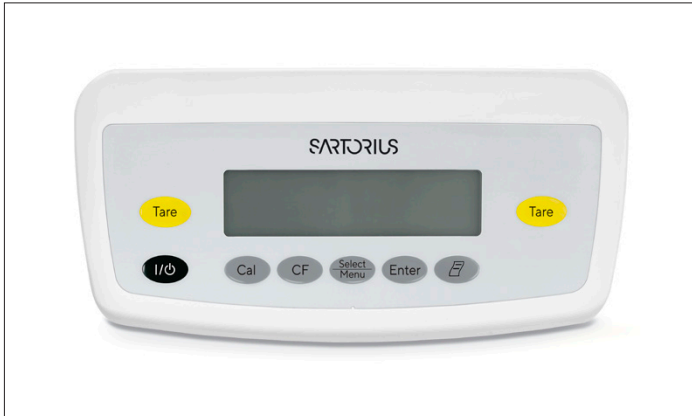
The weigh cell consist of two parts:

- A monolithic weighing system in stainless steel IP44 housing
- Aluminium electronic box, all connection via the front
- Force compensation technology weighing system with a resolution of 0.1 mg
- Excellent weighing technology bundled with easy adaptation
- Adjustable load receptor with overload protection, optional lift-off protection
- Possibility for under floor weighing
- LED's to control power and data transfer
- Fast warm-up by separation of weighing system and electronics
- RS232C interface for configuration and data transfer
- Optional PC-software or display to handle weighing data and configuration
- Display can be plugged in and out during operation

# Technical Data



Aluminium electronic box



YAC01ED (optional)

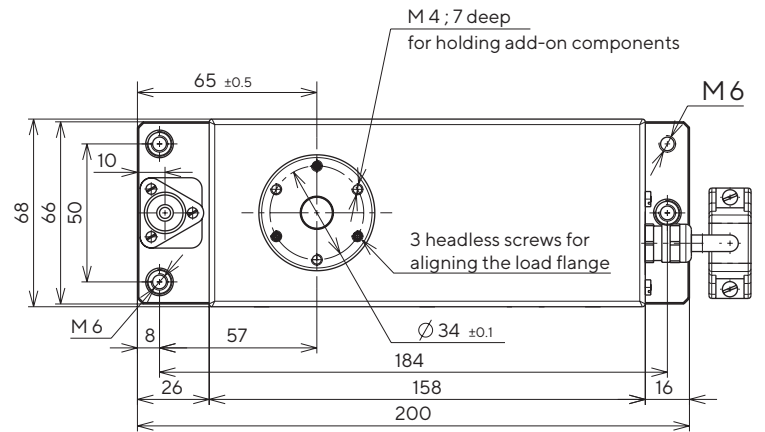
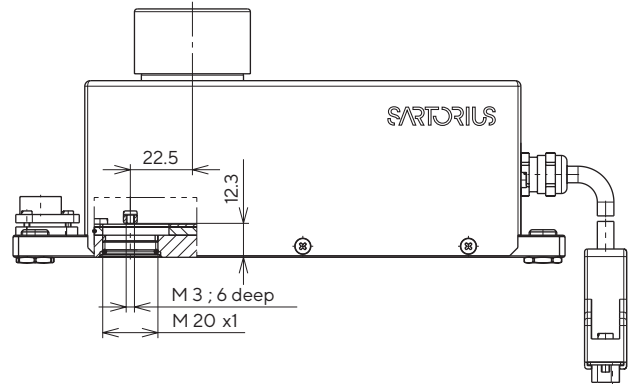
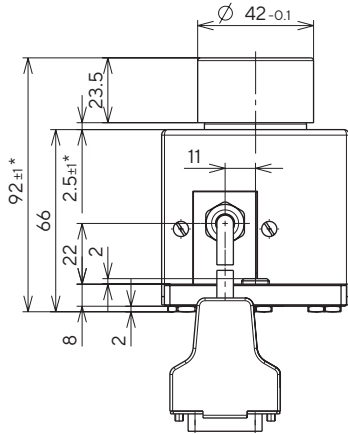
Model	WZA224-N	WZA523-N	WZA1203-N
Capacity	220 g	520 g	1200 g
Readability	0.1 mg	1 mg	1 mg
Preload max. <sup>1)</sup>	70 g	50 g	0 g
Repeatability (standard deviation) <sup>2)</sup>	≤± 0.1 mg	≤± 1 mg	≤± 1 mg
Linearity	≤± 0.2 mg	≤± 2 mg	≤± 2 mg
Measuring time <sup>2)3)</sup>	0.6 s   ± 0.1 mg	0.6 s   ± 1 mg	0.6 s   ± 1 mg
Operating temperature range	+10 ... +30 °C		
Allowable temperature range	+5 ... +40 °C		
Weigh cell dimension	68 × 200 × 92 mm (base × height)		
Electronic   PCB dimension	130 × 208 × 45 mm (base × height)		
Load receptor (adjustable, with overload protection)	42 mm (diameter), 26 mm height above housing		
Under floor load receptor	M3 thread		
Cable length weigh cell to electronics	3 m		
Power supply	YEPS01-15V0H   100 - 240VAC, 50 - 60Hz   15V DC		
Power supply (alternative)	12...26, optimal 15V (+15% -10%); 0.5VPP (Peak to Peak)		
Power consumption	8 VA (average)		
Interface	RS232C , software   hardware handshake; No system power via RS232 connector		

## Options | Accessories

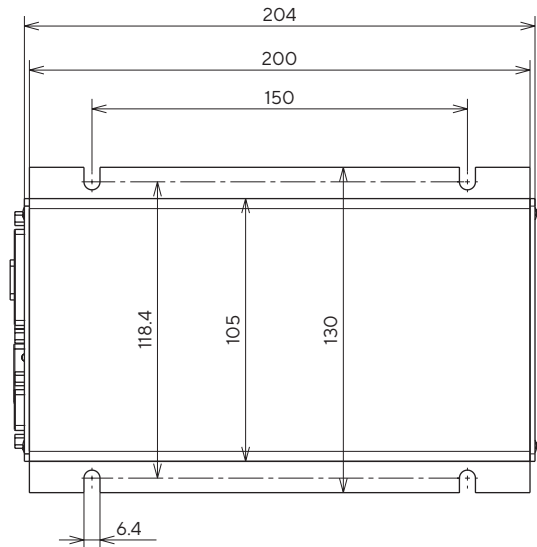
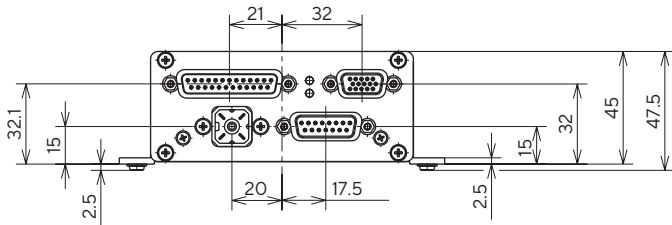
Windows configuration software for test and adjustment	Sartorius CAS Suite
Liquid-crystal display	YAC01ED
Weigh pan to realize lift off protection	YWPO1WZA

- 1) the preload can be configured by using the Sartorius CAS Suite software; higher preload will reduce the weighing range
- 2) depending on measurement equipment set-up and conditions;
- 3) measuring time is the time in which the measured value is in the given range around the static end value; test weight is approx. 25% of the weighing range.

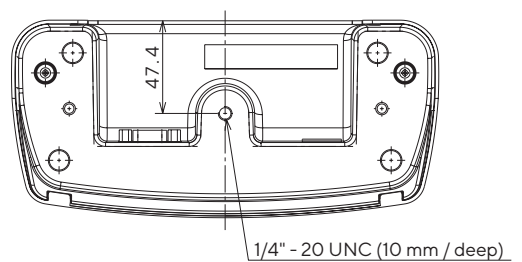
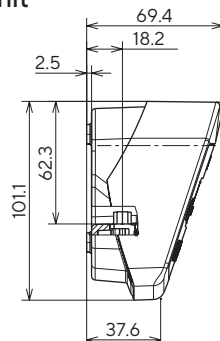
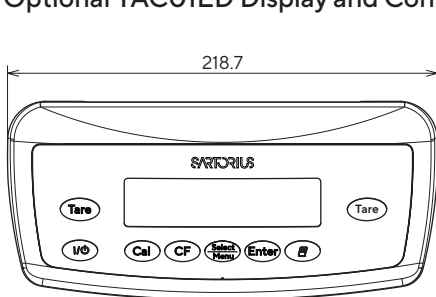
## Weigh cell



## Aluminium electronic box



## Optional YAC01ED Display and Control Unit



Dimensions in mm

**Germany**

Sartorius Lab Instruments GmbH & Co. KG  
Otto-Brenner-Strasse 20  
37079 Goettingen  
Phone +49 551 308 0

**France & Suisse Romande**

Phone +33 170 62 50 00

**Finland & Baltics**

Phone +358 9 755 951

**Italy**

Phone +39 0362 5557 11

**U.K.**

Phone +44 1372 737159

**USA**

Toll-free +1 800 635 2906

**China**


Phone +86 21 6878 2300

**Japan**

Phone +81 3 6478 5200

**South Korea**

Phone +82 31 622 5700

 For further contacts, visit  
[www.sartorius.com](http://www.sartorius.com)